



DESCRIPTION

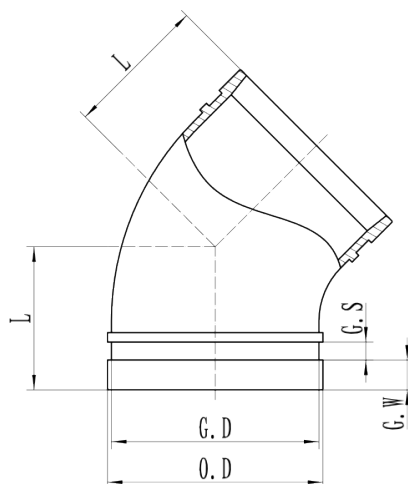
Grooved elbows provide an economical and efficient method of changing direction in grooved piping systems.

Sizes available: 1" - 10"
Working pressure: 300 PSI / 2068 Kpa

MATERIAL SPECIFICATIONS

- **Housing:**
Ductile iron conform to ASTM A536 65-45-12
- **Coating:**
 - Galvanized
 - Red paint coating: RAL 3000

DIMENSIONS



Reference		Size	O.D.	Nominal Dimensions					Weight
Red	Galva			Inch	mm	DN mm	L mm	G.D mm	
GB45R	GB45G	1	33,7	25	45	30,2	15,88	7,93	0,22
GB45R	GB45G	1¼	42,4	32	45	39,0	15,88	7,93	0,30
GB45R	GB45G	1½	48,3	40	45	45,1	15,88	7,93	0,36
GB45R	GB45G	2	60,3	50	51	57,2	15,88	7,93	0,53
GB45R	GB45G	2¼	76,1	65	62	72,3	15,88	7,93	0,93
GB45R	GB45G	3	88,9	80	70	84,9	15,88	7,93	1,08
GB45R	GB45G	4	114,3	100	76	110,1	15,88	9,53	1,81
GB45R	GB45G	5	139,7	125	83	135,5	15,88	9,53	2,77
GB45R	GB45G	6	168,3	150	89	164,4	15,88	9,53	3,63
GB45R	GB45G	8	219,1	200	108	214,4	19,05	11,1	8,77
GB45R	GB45G	10	273,0	250	112	268,3	19,05	12,7	11,50