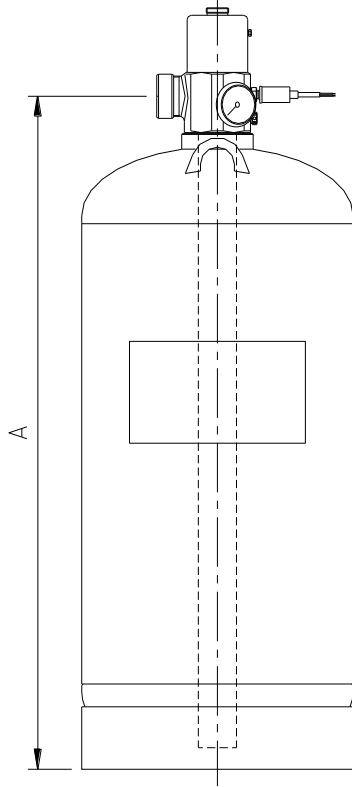


# TSP DATA SHEET

**Description:** FM-200/NOVEC Container 25mm & 50mm Valve Assembly – TPED



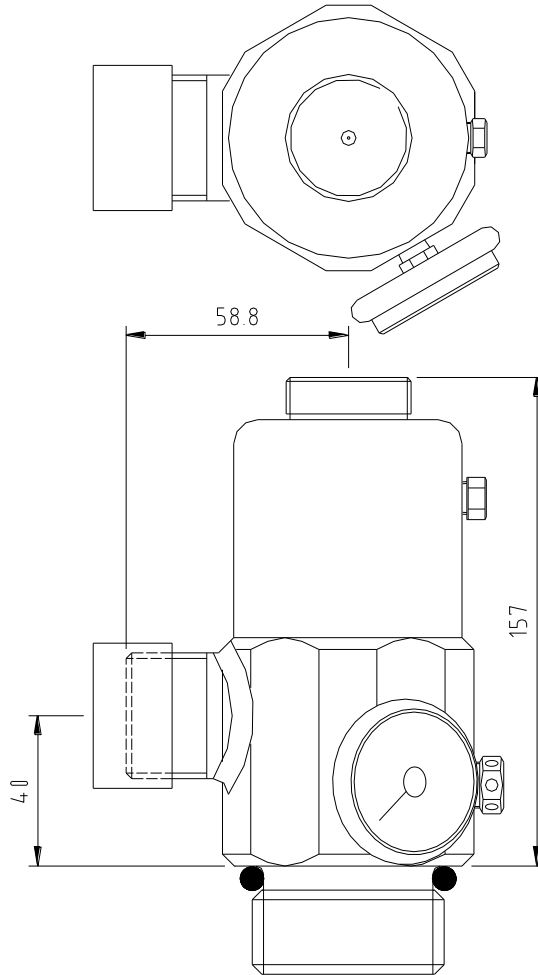
**Specification:** Manufactured in accordance with EC Directive 84/527/EEC (Pi Marked)  
 Hydraulic Test Pressure: 65 bar (943psi)  
 Working Pressure: 25 bar (360psi) @ 20°C  
 Paint Finish: Alkyd Gloss Enamel  
 Fed. Std. 595 (Red)  
 Tested in Accordance: 99/36/EC Type Examination (Modular B)

Part No: (Cyl & Valve)	Volume: (nominal) (L)	Outlet Size (mm)	Dimension A: (nominal) (mm)	Diameter: (mm)	Empty Weight: (kg)
			304		
303.207.015	8	25	499	254	17.4
303.207.016	16	25	830	254	22.4
303.207.017	32	25	596	254	29.6
303.207.012	52	50	1020	406	74.4
303.207.013	106	50	1353	406	99.4
303.207.014	147	50	1634	406	119.8
303.207.018	180	50		406	122.9

<b>COMPONENT:</b>	<b>FM-200 / NOVEC Container&amp;Valve Assembly</b>	<b>PART NO.</b>	n/a
<b>SIZE:</b>	<b>8L, 16L, 32L, 52L, 106L, 147L &amp; 180L Nominal</b>	<b>DATA SHEET NO.</b>	<b>DS 20390</b>
<b>FM-200/NOVEC FIRE EXTINGUISHING SYSTEM</b>		<b>ISSUE :</b>	<b>A</b>
		<b>REVISION DATE:</b>	<b>16.09.05</b>
		<b>SHEET NO.</b>	<b>1 / 1</b>

# TSP DATA SHEET

**Description:** 25mm Container Valve Assembly

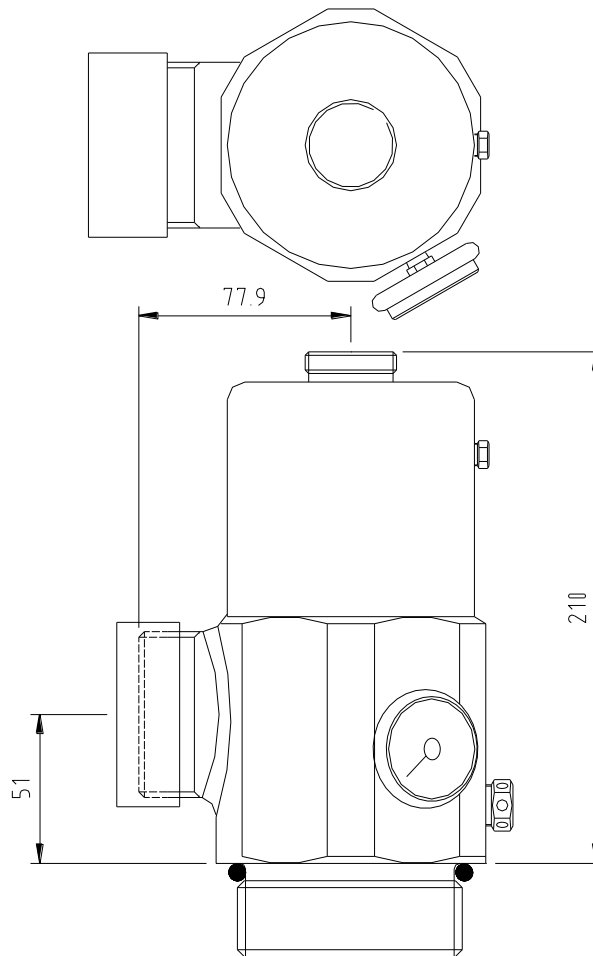


<b>Specification:</b>	Body: Brass CZ121 Thread Type: 2" 8UN Outlet Connection: 1" BSP Outlet Safety Cap: Brass CZ122 Max Working Pressure: 35 bar Burst Disc Rating: 50 bar Burst Disc Tolerance: + / - 10% Burst Disc Port: M14 x 1.25 Low Pressure Port: 1/8" NPT Gauge Port: 1/8" NPT Pilot Pressure Port: 1/4" BSPP Solenoid Adaptor Port: 1/8" BSPT Temperature Rating: 0°C to 50°C Weight: 3.5kg Approvals: UL/FM/LPCB
-----------------------	--

<b>COMPONENT:</b>	Container Valve Assembly	<b>PART NO.</b>	302.207.001
<b>SIZE:</b>	25mm	<b>DATA SHEET NO.</b>	DS 20370
<b>FM-200 / NOVEC FIRE EXTINGUISHING SYSTEM</b>		<b>ISSUE:</b>	A
		<b>REVISION DATE:</b>	16.09.05
		<b>SHEET NO.</b>	1 / 1

# TSP DATA SHEET

**Description:** 50mm Container Valve Assembly



<b>Specification:</b>	Body: Brass CZ121 Thread Type: 3 1/4" 8UN Outlet Connection: 2" BSPT Outlet Safety Cap: Brass CZ122 Max Working Pressure: 35 bar Burst Disc Rating: 50 bar Burst Disc Tolerance: + / - 10% Burst Disc Port: M14 x 1.25 Low Pressure Port: 1/8" NPT Gauge Port: 1/8" NPT Pilot Pressure Port: 1/4" BSP Solenoid Adaptor Port: 1/8" BSP Temperature Rating: 0°C to 50°C Weight: 9kg Approvals: UL/FM/LPCB
-----------------------	---

<b>COMPONENT:</b>	Container Valve Assembly	<b>PART NO.</b>	302.207.002
<b>SIZE:</b>	50mm	<b>DATA SHEET NO.</b>	DS 20380
<b>FM-200/NOVEC FIRE EXTINGUISHING SYSTEM</b>		<b>ISSUE:</b>	A
		<b>REVISION DATE:</b>	16.09.05
		<b>SHEET NO.</b>	1 / 1