

## **Model G5 Sprinkler Guards for Use with Series DS-1 Sprinklers Standard, Deep, and No Escutcheons**

### **General Description**

The TYCO Model G5 Sprinkler Guards are designed for use with Series DS-1 Sprinklers located in areas that make the sprinklers susceptible to mechanical or physical damage.

#### **NOTICE**

*The Model G5 Sprinkler Guard can be installed only on sprinklers with standard and deep escutcheons, as well as sprinklers without escutcheons. This Sprinkler Guard cannot be installed in recessed applications.*

*The Model G5 Sprinkler Guards described herein must be installed and maintained in compliance with this document and with the applicable standards of the National Fire Protection Association, in addition to the standards of any authorities having jurisdiction. Failure to do so may impair the performance of these devices.*

*Owners are responsible for maintaining their fire protection system and devices in proper operating condition. The installing contractor or sprinkler manufacturer should be contacted with any questions.*

### **Technical Data**

**Approvals**  
UL Listed

**Physical Characteristics**  
Welded assembly fabricated from carbon steel

**Finishes**  
Zinc Chromate

### **Design Criteria**

In accordance with the requirements of the NFPA, sprinkler guards shall be listed. Guards are only listed for use with the Series DS-1 Sprinklers.

### **Installation**

The TYCO Model G5 Sprinkler Guard must be installed in accordance with the following instructions.

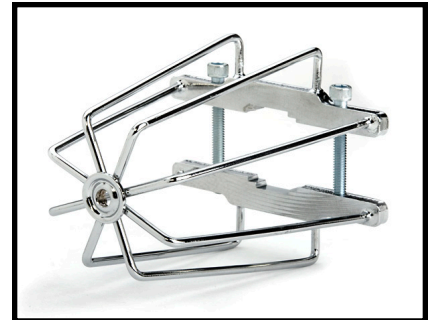
#### **NOTICE**

*These instructions require, at the minimum, a 9/64" Allen Wrench.*

1. Install sprinklers with applicable escutcheon in accordance with the Model DS-1 Sprinkler data sheets (TFP500, TFP510, or TFP560), as well as Table A on Page 4.
2. With Bulb Protector removed, carefully pass the Guard over the Deflector without damaging the Sprinkler.

The Sprinkler Guard is designed to fit over the Deflector without removing the screws. However, if required to allow adequate passage over the Deflector, loosen the Screws and separate the Base Plates. Open the Guard slightly. Refer to Figure 2A.

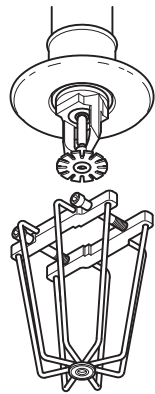
3. Align the center-line of the Guard with the center-line of the Sprinkler while directing the Base Plates toward the sprinkler. Refer to Figure 2B.
4. Align the Grips with the Wrench Flats and guide into position. Proper position is achieved when the Base Plates are seated against the Frame Base. Refer to Figure 2B.
5. While holding the Guard in position firmly against the Frame Base, alternately tighten the Screws with a 9/64" Allen Wrench until evenly snug and the Grips uniformly engage the Wrench Flats. Refer to Figure 2C.



6. Apply the final torque of 5 to 6 ft.-lbs. evenly to both Screws Refer to Figure 2C.
7. Inspect installation of the Guard to verify the following. Refer to Figure 2D.
  - The Guard center-line is in-line with the Sprinkler center-line.
  - The Base Plates are fully seated against the Frame Base.
  - The Grips are evenly engaged with the Sprinkler Wrench Flats.
  - The Screws are equally engaged across the Base Plates.

#### **NOTICE**

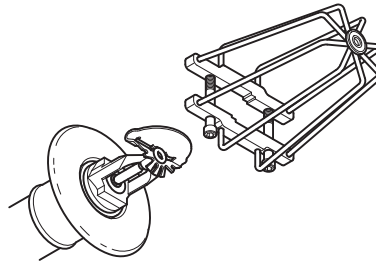
*The Base Plates must seat against the Frame Base to be fully seated and to complete the installation. The Model G5 Sprinkler Guard may be located in any position relative to the sprinkler frame arms.*



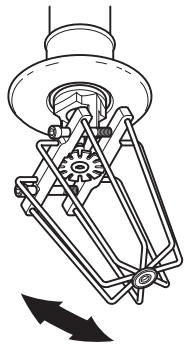
INSTALL SPRINKLER  
 (WITH ESCUTCHEON  
 AS APPLICABLE)

SEPARATE  
 BASE PLATES  
 FOR ADEQUATE  
 INSTALLATION  
 CLEARANCE.

LOOSEN  
 OR REMOVE  
 SCREWS AS  
 NEEDED.

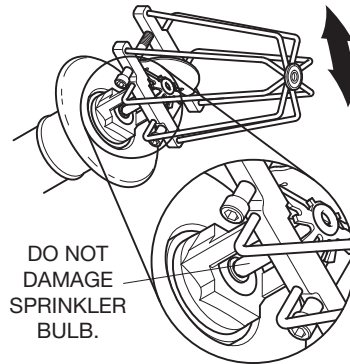


**FIGURE 2A**  
**MODEL G5 SPRINKLER GUARD**  
**— INSTALLATION STEP 1 —**

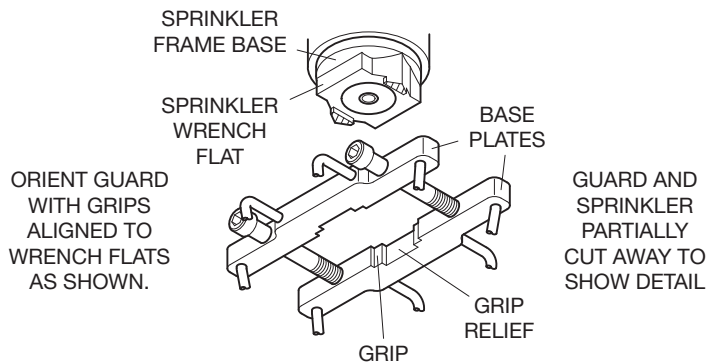


GUIDE BASE  
 PLATES OVER  
 SPRINKLER.

SLIGHTLY  
 ALTER ALIGNMENT  
 AS NECESSARY TO  
 CLEAR SPRINKLER  
 DEFLECTOR.



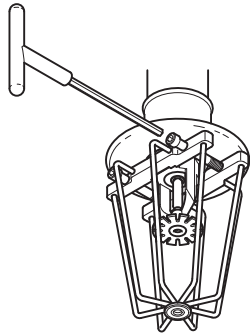
DO NOT  
 DAMAGE  
 SPRINKLER  
 BULB.



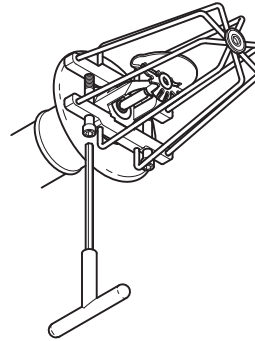
ORIENT GUARD  
 WITH GRIPS  
 ALIGNED TO  
 WRENCH FLATS  
 AS SHOWN.

GUARD AND  
 SPRINKLER  
 PARTIALLY  
 CUT AWAY TO  
 SHOW DETAIL

**FIGURE 2B**  
**MODEL G5 SPRINKLER GUARD**  
**— INSTALLATION STEP 2 —**

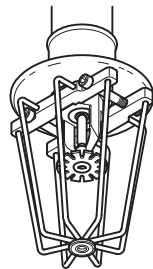


PROPERLY  
POSITION GUARD,  
HOLD IN PLACE,  
AND ALTERNATELY  
TIGHTEN SCREWS  
WITH 9/64" ALLEN  
WRENCH UNTIL  
EVENLY SNUG.

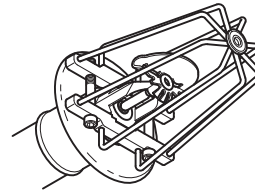


APPLY FINAL  
5-6 ft. lbs. TORQUE  
TO EACH SCREW.

**FIGURE 2C**  
**MODEL G5 SPRINKLER GUARD**  
**— INSTALLATION STEP 3 —**

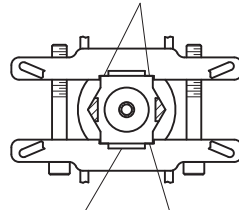
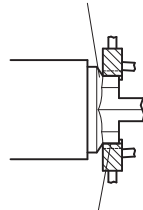


INSPECT  
GUARD FOR  
PROPER  
INSTALLATION.



FULLY SEAT BASE  
PLATES AGAINST  
FRAME BASE.

EVENLY ENGAGE  
WRENCH FLATS BY  
BASE PLATE GRIPS.



PROPER  
ENGAGEMENT  
OF BASE PLATES  
ON SPRINKLER  
WRENCH FLATS  
AND FRAME BASE

SPRINKLER  
WRENCH  
FLAT

GRIP  
RELIEF

BASE  
PLATE  
GRIP

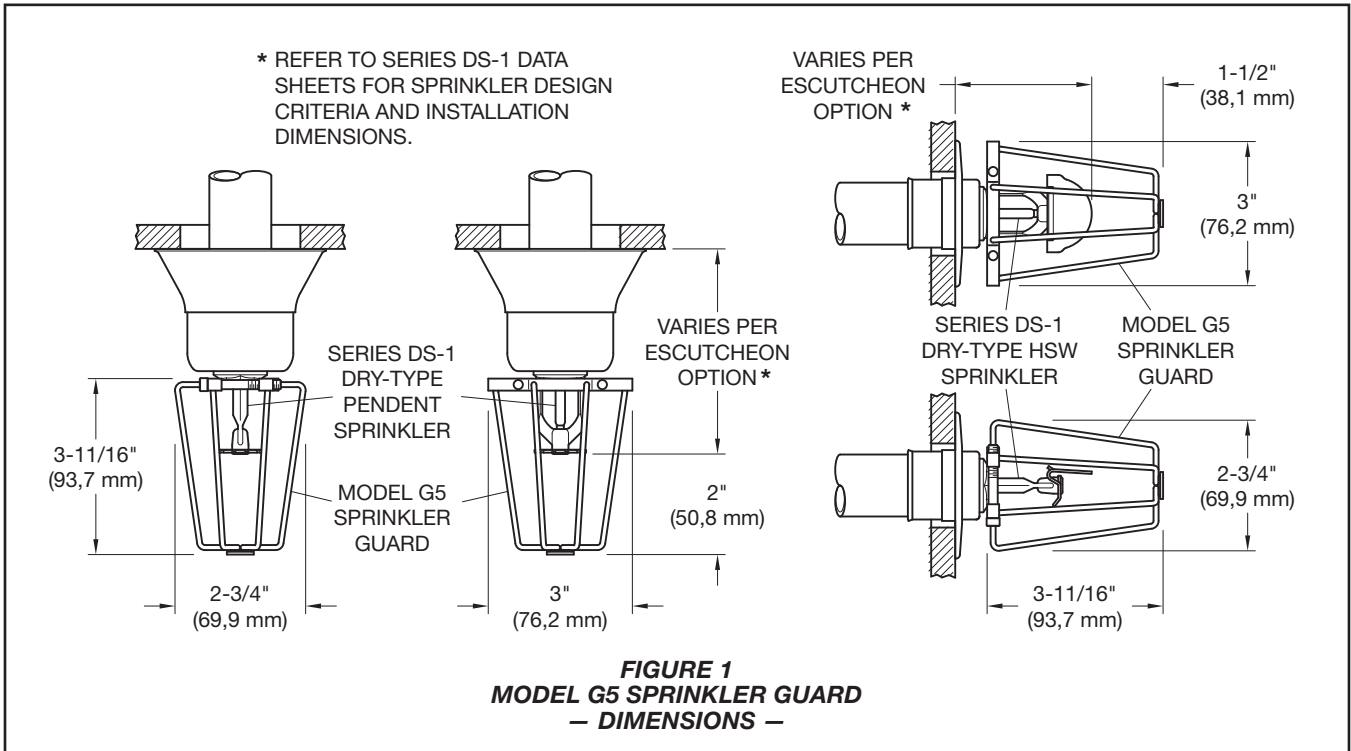
**FIGURE 2D**  
**MODEL G5 SPRINKLER GUARD**  
**— INSTALLATION STEP 4 —**

Sprinkler Series	TFP SIN	Sprinkler Type*	Sprinkler Nominal K-Factor	Mounting Location	Approvals Model G5 Guard
DS-1	TY3255	Pendent	5.6	Wrench Area	(1)
DS-1	TY3235	Pendent	5.6	Wrench Area	(1)
DS-1	TY3355	HSW	5.6	Wrench Area	(1)
DS-1	TY3335	HSW	5.6	Wrench Area	(1)
DS-1 Stainless Steel	TY3230	Pendent	5.6	Wrench Area	(1)
DS-1 Stainless Steel	TY3250	Pendent	5.6	Wrench Area	(1)
DS-1 Stainless Steel	TY3337	HSW	5.6	Wrench Area	(1)
DS-1 Stainless Steel	TY3357	HSW	5.6	Wrench Area	(1)

\*The Model G5 Guard can be installed only on sprinklers with standard and deep escutcheons, as well as sprinklers without escutcheons. This Sprinkler Guard cannot be installed in recessed applications.

1. Listed by Underwriters Laboratories

**TABLE A**  
**MODEL G5 SPRINKLER GUARD**  
**– APPLICATION GUIDE –**



## Care and Maintenance

The TYCO Model G5 Sprinkler Guard does not require any regularly scheduled maintenance. However, proper installation of the Sprinkler Guard should be verified during the annual visual inspection of the sprinklers.

### NOTICE

*Before closing a fire protection system main control valve for maintenance work on the fire protection system that it controls, obtain permission to shut down the affected fire protection system from the proper authorities and notify all personnel who may be affected by this action.*

*Responsibility lies with sprinkler owners for the inspection, testing, and maintenance of their fire protection system and devices in compliance with this document, as well as with the applicable standards of the National Fire Protection Association (for example, NFPA 25), in addition to the standards of any other authorities having jurisdiction. Contact the installing contractor or sprinkler manufacturer regarding any questions.*

*Automatic sprinkler systems are recommended to be inspected, tested, and maintained by a qualified Inspection Service in accordance with local requirements and/or national codes.*

*Owners must ensure that sprinklers are not used for hanging of any objects and that the sprinklers are only cleaned by means of gently dusting with a feather-duster. Otherwise, inadvertent sprinkler operation may result.*

## Limited Warranty

Products manufactured by Tyco Fire Suppression & Building Products (TFSBP) are warranted solely to the original Buyer for ten (10) years against defects in material and workmanship when paid for and properly installed and maintained under normal use and service. This warranty will expire ten (10) years from date of shipment by TFSBP. No warranty is given for products or components manufactured by companies not affiliated by ownership with TFSBP or for products and components which have been subject to misuse, improper installation, corrosion, or which have not been installed, maintained, modified or repaired in accordance with applicable Standards of the National Fire Protection Association, and/or the standards of any other Authorities Having Jurisdiction. Materials found by TFSBP to be defective shall be either repaired or replaced, at TFSBP's sole option. TFSBP neither assumes, nor authorizes any person to assume for it, any other obligation in connection with the sale of products or parts of products. TFSBP shall not be responsible for sprinkler system design errors or inaccurate or incomplete information supplied by Buyer or Buyer's representatives.

In no event shall TFSBP be liable, in contract, tort, strict liability or under any other legal theory, for incidental, indirect, special or consequential damages, including but not limited to labor charges, regardless of whether TFSBP was informed about the possibility of such damages, and in no event shall TFSBP's liability exceed an amount equal to the sales price.

The foregoing warranty is made in lieu of any and all other warranties, express or implied, including warranties of merchantability and fitness for a particular purpose.

This limited warranty sets forth the exclusive remedy for claims based on failure of or defect in products, materials or components, whether the claim is made in contract, tort, strict liability or any other legal theory.

This warranty will apply to the full extent permitted by law. The invalidity, in whole or part, of any portion of this warranty will not affect the remainder.

## Ordering Procedure

Contact your local distributor for availability. When placing an order, indicate the full product name and Part Number (P/N).

**Model G5 Sprinkler Guard**  
Specify Model G5 Sprinkler Guard with a Zinc Chromate finish and P/N 56-938-9-000.