

Model G2 Sprinkler Guard, Model WS-2 Shield, and Model WSG-2 Sprinkler Guard with Shield Series ELO-231, ELO-231B, and ELO-231FRB Sprinklers

General Description

The Model G2 Sprinkler Guard (Ref. Figure 1) is designed for use with Series ELO-231, ELO-231B, or ELO231FRB Sprinklers that may be located in areas that make them susceptible to mechanical or physical damage.

The WS-2 Shield (Ref. Figure 2) is designed to shield pendent sprinklers from water spray of higher elevation sprinklers (e.g., rack storage sprinkler installations). When the WS-2 Shield is used with the Series ELO-231, ELO-231B, or ELO-231FRB Pendent Sprinklers, the assemblies become Pendent Intermediate Level Sprinklers intended for use in fire sprinkler systems designed in accordance with the standard installation rules recognized by the applicable Listing agency (i.e., UL Listing is based on NFPA requirements).

The Model WSG-2 Sprinkler Guard with Shield (Ref. Figure 3), in addition to providing protection from mechanical or physical damage, shields the upright sprinkler from water spray of higher elevation sprinklers (e.g., rack storage sprinkler installations). When the WSG-2 is used with the Series ELO-231, ELO-231B, or ELO-231FRB Upright Sprinklers, the assemblies become Upright Intermediate Level Sprinklers intended for use in fire sprinkler systems designed in accordance with the standard installation rules recognized by the applicable Listing agency (i.e., UL Listing is based on NFPA requirements).

The G2, WS-2, and WSG-2 are a re-designation for the Central G2, WS-2, and WSG-2.

NOTICE

The Model G2 Sprinkler Guard, WS-2 Shield, and WSG-2 Sprinkler Guard with Shield described herein must be

installed and maintained in compliance with this document, and with the applicable standards of the National Fire Protection Association, in addition to the standards of any authorities having jurisdiction. Failure to do so may impair the integrity of these devices.

The owner is responsible for maintaining their fire protection system and devices in proper operating condition. The installing contractor or manufacturer should be contacted relative to any questions.

Technical Data

Approvals

UL and C-UL Listed. FM Approved. (Refer to Table A)

Finishes

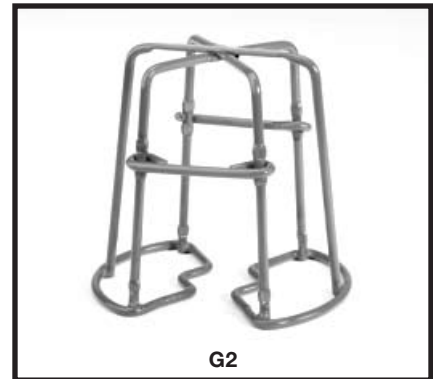
Red Painted and Zinc Coated

Physical Characteristics

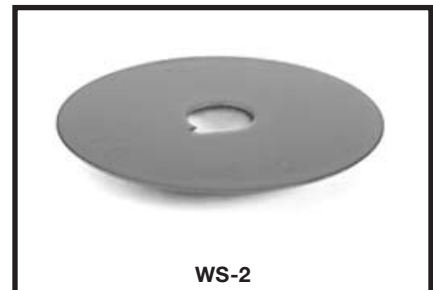
Welded assembly fabricated from carbon steel

Design Criteria

In accordance with the requirements of the NFPA, sprinkler guards shall be listed. Guards are only listed for use with specified sprinklers; therefore, the G2 and WSG-2 must only be used with the Series ELO-231, ELO-231B, and ELO-231FRB Sprinklers shown in Table A.



G2



WS-2



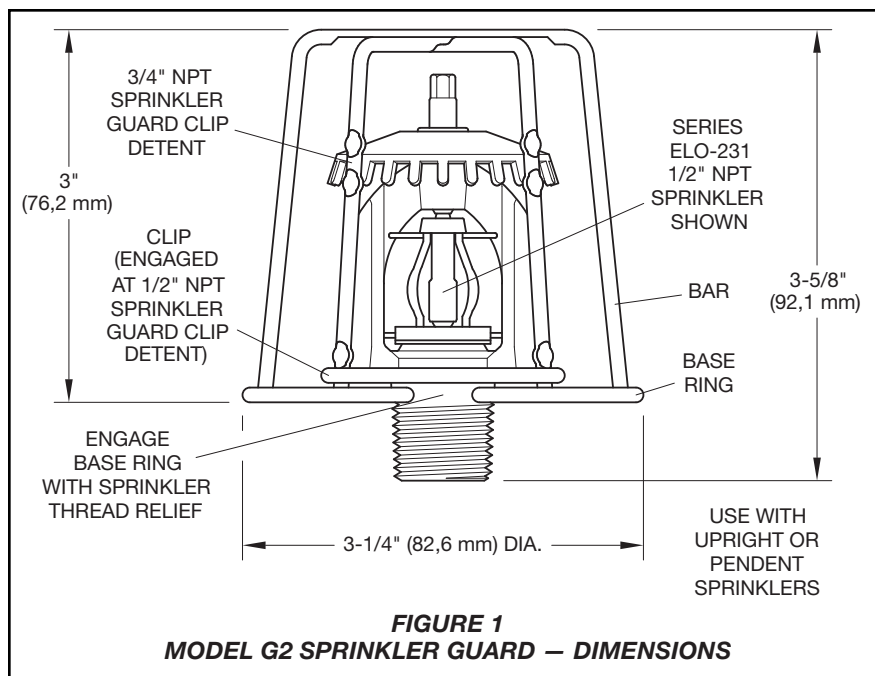
WSG-2

SPRINKLER SERIES	TFP SIN	CSC SIN	SPRINKLER TYPE	SPRINKLER K-FACTOR	MOUNTING LOCATION	APPROVALS		
						G2 GUARD	WS-2 SHIELD	WSG-2 WITH SHIELD GUARD
ELO-231	TY5111	C5111	Upright	11.2 (3/4" NPT)	Thread Relief	1,2	N/A	1
	TY5111	C5111	Pendent	11.2 (3/4" NPT)	Thread Relief	1,2	1	N/A
	TY5811	C5811	Upright	11.2 (1/2" NPT)	Thread Relief	1,2	N/A	1
ELO-231B	TY5151	C5151	Upright	11.2 (3/4" NPT)	Thread Relief	1,2	N/A	1
	TY5251	C5251	Pendent	11.2 (3/4" NPT)	Thread Relief	1,2	1	N/A
	TY5851	C5851	Upright	11.2 (1/2" NPT)	Thread Relief	1,2	N/A	1
ELO-231FRB	TY5131	C5131	Upright	11.2 (3/4" NPT)	Thread Relief	1,2	N/A	1,2
	TY5231	C5231	Pendent	11.2 (3/4" NPT)	Thread Relief	1,2	1,2	N/A

APPROVALS & NOTES:

1. Listed by Underwriters Laboratories Inc. and Underwriters Laboratories Inc. for use in Canada.
 2. Approved by Factory Mutual Research Corporation.
- N/A Not Applicable for noted sprinkler.

TABLE A – LABORATORY LISTINGS AND APPROVALS



the “1/2 inch NPT Sprinkler Guard Clip Detents” or “3/4 inch NPT Sprinkler Guard Clip Detents”, as applicable, to complete the installation as shown in Figures 1 and 3.

Make sure that this action results in a tight fit between the Clip and the Rib Detents. If not, bend the clip slightly and repeat the process until a tight fit is obtained.

Note: The Clips must seat securely to the appropriate Rib Detents in order to be considered fully seated and in order to complete the installation.

Note: The G2 and WSG-2 may be located in any position relative to the sprinkler frame arms.

WS-2 Shield (Pendent Sprinklers with or without G2 Sprinkler Guard)

Step 1. The WS-2 Shield is to be installed onto the sprinkler before the sprinkler is installed in accordance with its applicable technical data sheet.

Step 2. Thread the WS-2 Shield onto the sprinkler threads with the stamped marking toward the sprinkler deflector and just to the end of the pipe threads.

Step 3. Install the sprinkler in accordance with its applicable data sheet.

Step 4. To complete the installation of the WS-2, rotate the WS-2 Shield clockwise (looking up) until it seats against the sprinkler fitting.

As applicable, the G2 Sprinkler Guard can now be installed.

Installation

The Models G2, WS-2, and WSG-2 are to be installed as follows:

G2 Sprinkler Guard (Upright and pendent Sprinklers) and **WSG-2 Sprinkler Guard with Shield** (Upright Sprinklers)

Step 1. The G2 and WSG-2 is to be mounted on the sprinkler after the sprinkler has been installed in accordance with its applicable technical data sheet.

Step 2. With the Clips loose, first spread the two halves of the Sprinkler Guard just enough to pass by the sprinkler deflector from the side. Then, once again spread the two halves of the Sprinkler Guard just enough to pass over the sprinkler wrench flats onto the “Thread Relief” portion of the sprinkler. (Refer to Figures 1 and 3.)

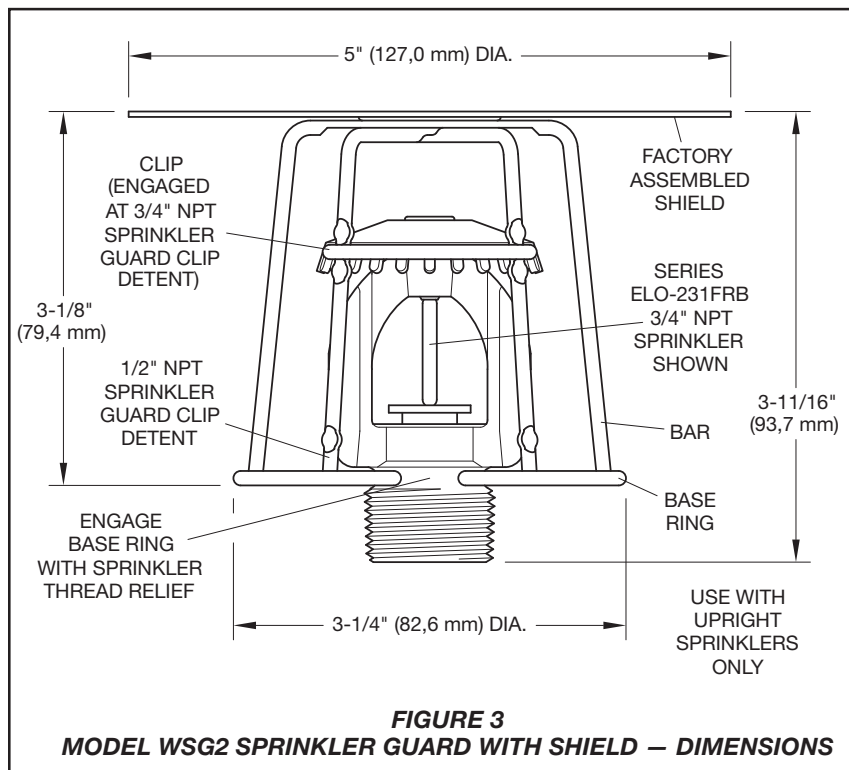
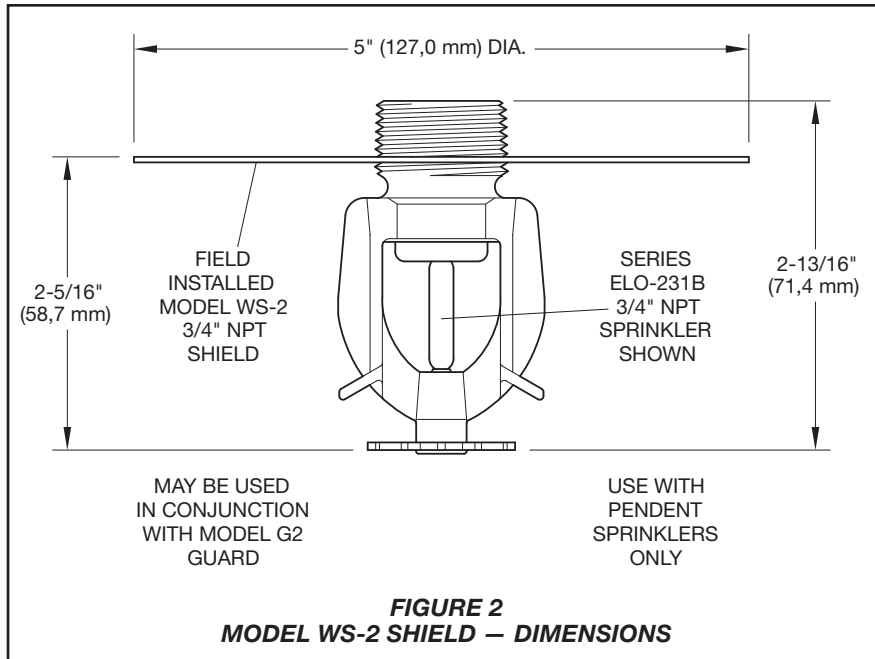
Step 3. With the Sprinkler Guard positioned on the “Thread Relief” portion of the sprinkler, engage the Clips and then slide the Clips until they seat in

Care and Maintenance

The Models G2, WS-2, and WSG-2 do not require any regularly scheduled maintenance; however, proper installation of the Sprinkler Guards and/or Shields should be verified during the annual visual inspection of the sprinklers.

The owner is responsible for the inspection, testing, and maintenance of their fire protection system and devices in compliance with this document, as well as with the applicable standards of the National Fire Protection Association (e.g., NFPA 25), in addition to the standards of any other authorities having jurisdiction. The installing contractor or sprinkler manufacturer should be contacted relative to any questions.

Automatic sprinkler systems are recommended to be inspected, tested, and maintained by a qualified Inspection Service.



Limited Warranty

Products manufactured by Tyco Fire Suppression & Building Products (TFSBP) are warranted solely to the original Buyer for ten (10) years against defects in material and workmanship when paid for and properly installed and maintained under normal use and service. This warranty will expire ten (10) years from date of shipment by TFSBP. No warranty is given for products or components manufactured by companies not affiliated by ownership with TFSBP or for products and components which have been subject to misuse, improper installation, corrosion, or which have not been installed, maintained, modified or repaired in accordance with applicable Standards of the National Fire Protection Association, and/or the standards of any other Authorities Having Jurisdiction. Materials found by TFSBP to be defective shall be either repaired or replaced, at TFSBP's sole option. TFSBP neither assumes, nor authorizes any person to assume for it, any other obligation in connection with the sale of products or parts of products. TFSBP shall not be responsible for sprinkler system design errors or inaccurate or incomplete information supplied by Buyer or Buyer's representatives.

In no event shall TFSBP be liable, in contract, tort, strict liability or under any other legal theory, for incidental, indirect, special or consequential damages, including but not limited to labor charges, regardless of whether TFSBP was informed about the possibility of such damages, and in no event shall TFSBP's liability exceed an amount equal to the sales price.

The foregoing warranty is made in lieu of any and all other warranties, express or implied, including warranties of merchantability and fitness for a particular purpose.

This limited warranty sets forth the exclusive remedy for claims based on failure of or defect in products, materials or components, whether the claim is made in contract, tort, strict liability or any other legal theory.

This warranty will apply to the full extent permitted by law. The invalidity, in whole or part, of any portion of this warranty will not affect the remainder.

Ordering Procedure

Contact your local distributor for availability.

G2 Sprinkler Guard:

Specify: Model G2 Sprinkler Guard having a (specify) finish, P/N (specify).

Red Painted P/N 56-000-1-087
Zinc Coated P/N 56-000-1-086

WS-2 Shield:

Specify: Model WS-2 Shield for (specify 3/4 or 1/2) inch NPT sprinkler threads and having a (specify) finish, P/N (specify).

3/4" NPT
Red Painted P/N 56-000-1-083

3/4" NPT
Zinc Coated P/N 56-000-1-082

1/2" NPT
Red Painted P/N 56-000-1-081

1/2" NPT
Zinc Coated P/N 56-000-1-080

WSG-2 Guard with Shield:

Specify: Model WSG-2 Sprinkler Guard with Shield having a (specify) finish, P/N (specify).

Red Painted P/N 56-000-1-098
Zinc Coated1 P/N 56-000-1-097